



## PROJECT INFORMATION

PROJECT \_\_\_\_\_  
 \_\_\_\_\_  
 \_\_\_\_\_  
 DATE \_\_\_\_\_  
 \_\_\_\_\_  
 TYPE \_\_\_\_\_  
 \_\_\_\_\_

**BeveLED 2.1 Recessed Wall Wash** - BeveLED 2.1 is the most complete recessed LED downlight product family available from USAI Lighting, now with more BeveLED trim finishes, LED classic white color temperatures, innovative housing styles, and dimming driver options than before. With industry-leading performance, BeveLED 2.1 can provide a solution for any project - commercial, corporate and residential installations.

## DELIVERED PERFORMANCE

BeveLED 2.1 Wall Wash	9 Watts		12 Watts		16 Watts		24 Watts		33 Watts		36 Watts	
Color Rendering Index	80+ CRI	90+ HIGH CRI	80+ CRI	90+ HIGH CRI	80+ CRI	90+ HIGH CRI	80+ CRI	90+ HIGH CRI	80+ CRI	90+ HIGH CRI	80+ CRI	90+ HIGH CRI
Lumens per Watt	83	65	71	55	71	55	66	52	58	47	75	58
Source Lumens	1150	900	1300	1025	1725	1350	2400	1875	3025	2350	4150	3250
Delivered Lumens	<b>750</b>	<b>575</b>	<b>850</b>	<b>675</b>	<b>1125</b>	<b>875</b>	<b>1575</b>	<b>1225</b>	<b>1975</b>	<b>1550</b>	<b>2525</b>	<b>1975</b>
Color Consistency	2-Step MacAdam Ellipse											

Performance based on 3000K

CCT MULTIPLIER	2200K	2700K		3000K		3500K	4000K
Color Rendering Index	80+ CRI	80+ CRI	90+ HIGH CRI	80+ CRI	90+ HIGH CRI	80+ CRI	80+ CRI
Multiplier for Lumen Output	0.72	0.94	0.78	1.00	.78	1.00	1.06

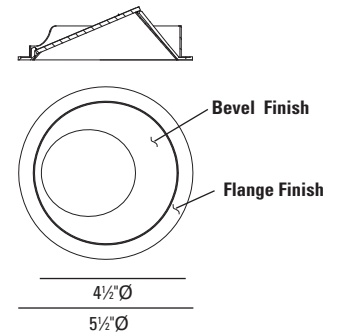
90+ CRI is not available for 2200K, 3500K, or 4000K

## HOW TO SPECIFY

**Ordering Example:** Specify trim code and housing code to order: Example : **3751W - B1 - 10 - LRTW4 - 6012 - C3 - 27KS - W2 - NC - 277V - DIML2 - CB27**

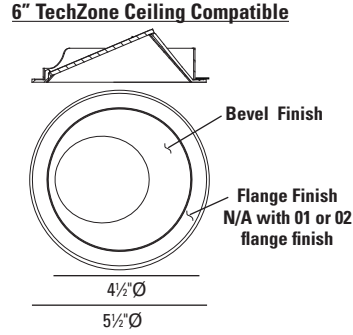
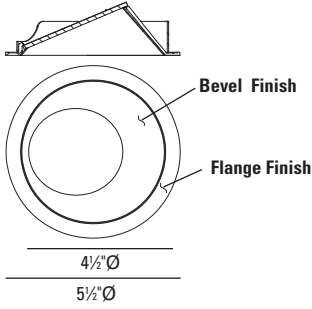
## TRIM ORDERING INFORMATION

TRIM OPTION	BEVEL STYLE	FLANGE FINISH
3751		
<b>3751</b> Round Wall Wash 1" Regress <b>TZ</b> 6" TechZone <sup>2</sup> ceiling compatible (NCSM only) N/A with 01 or 02 flange finishes <sup>1</sup> Wet location, use with B1 trims only. <sup>2</sup> N/A with E1 light engine	<b>B1</b> 1" Regress Bevel, Painted Die Cast Matches Flange Finish <b>AB1</b> 1" Regress Bevel, Black Anodized <b>AC1</b> 1" Regress Bevel, Clear Matte Anodized	<b>01</b> Clear Matte (AC Bevel only) <b>02</b> Black Anodized (AB Bevel only) <b>10</b> White <b>13</b> Statuary Bronze <b>21</b> Black <b>28</b> Metalized Grey <b>RAL</b> Custom Color (specify RAL #)



## HOUSING ORDERING INFORMATION

HOUSING CODE	WATTAGE	ENGINE CODE	COLOR	REFLECTOR	HOUSING TYPE	SELECT ONE VOLTAGE	DIMMING DRIVER OPTIONS	ACCESSORIES
LRTW4								
LRTW4	6009 9W LED 6012 12W LED 6016 16W LED 6024 24W LED 6033 33W LED	C3	22KS 2200K, 80+ CRI 27KS 2700K, 80+ CRI 30KS 3000K, 80+ CRI 35KS 3500K, 80+ CRI 40KS 4000K, 80+ CRI 27KH 2700K, 90+ CRI 30KH 3000K, 90+ CRI	W2 Wall Wash Optic 2.1 Style	FT Flat Housing New Construction FTIC Flat Housing IC-Rated/Airtight (up to 16W maximum) FTCP Flat Housing Chicago Plenum NCSM New Construction Narrow Width NC New Construction, all in one CP Chicago Plenum IC Insulation-Contact Rated / Airtight	120V 277V	<b>For use with 120V or 277V</b> <b>DIML2</b> 0-10V dim, 10% (provided standard) <b>DIML4</b> Lutron A 3-wire/ECO, 1% <b>DIML4E</b> Lutron 5 ECO, 5% <sup>3</sup> <b>DIML4H</b> Lutron H ECO, 1% Fade <sup>3</sup> <b>DIML6A</b> EldoLED 0-10V, 0.1%, logarithmic / Lutron controls <b>DIML6B</b> EldoLED 0-10V Linear, 0.1%, linear controls <b>DIML6E</b> EldoLED 0-10V, 1%, logarithmic/Lutron controls <b>DIML6F</b> EldoLED 0-10V, 1%, linear controls <b>DIML7</b> EldoLED DALI, 0.1% <b>DIML8</b> EldoLED DMX, 0.1% <sup>4,5</sup>	<b>CB27</b> 27" C-Channel Bars <b>CB52</b> 52" C-Channel Bars <b>EML</b> Emergency battery <sup>7</sup> <b>EMLW</b> Emergency battery, wet location <sup>7</sup> <b>TZ</b> 6" TechZone ceiling compatible <sup>8</sup> N/A with 01 or 02 flange finishes
	6036 36W LED		E1		27KS 2700K, 80+ CRI 30KS 3000K, 80+ CRI 35KS 3500K, 80+ CRI 40KS 4000K, 80+ CRI 27KH 2700K, 90+ CRI 30KH 3000K, 90+ CRI		W1 Wall Wash Optic MX Style	
	See performance chart for precise lumen information.		2 Step MacAdam ellipse is standard for all		See emergency solutions chart for EM options with these housings	<sup>3</sup> N/A with 9W <sup>4</sup> N/A with 33W <sup>5</sup> N/A with FT, FTIC or FTCP housing <sup>6</sup> N/A with E1 light engine	<sup>7</sup> See emergency solutions chart for more details on EM options. Not available with 347V <sup>8</sup> With NCSM housing only N/A with E1 light engine	



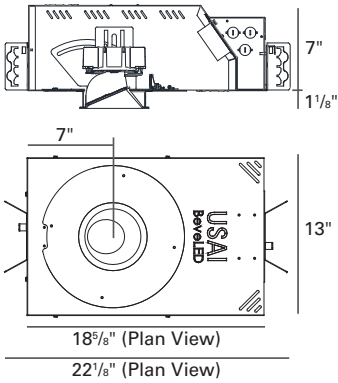
### 3751 Emergency Solutions

Housing	EM SERVICE	Integral Test Switch	Remote Test Switch	Inverter By Others
FT, FTCP, FTIC	N/A			X
NCSM*	Above ceiling access required		X	X
NC	Through aperture		X	X
CP	N/A			X
IC	N/A			X

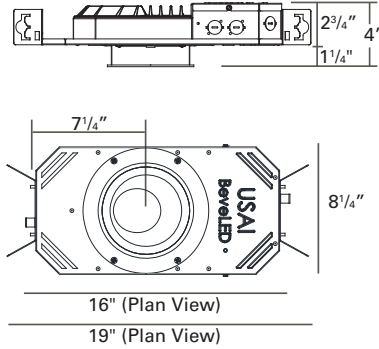
\* NCSM + DIML8 cannot be offered with EM  
347V cannot be offered with EM

## HOUSING INFORMATION

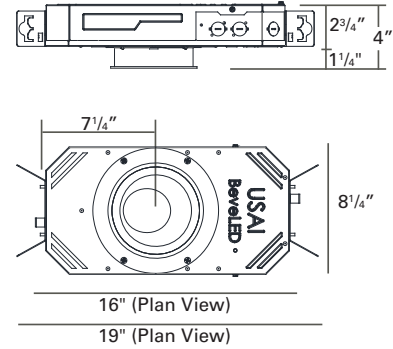
### New Construction Universal Style Housing - NC



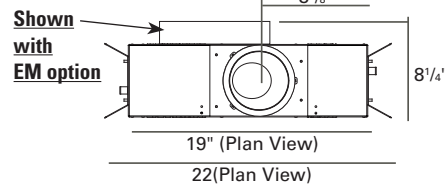
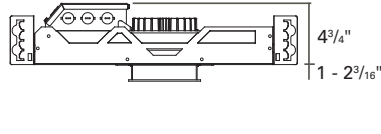
### New Construction Flat Housing - FT Flat Housing Chicago Plenum - FTCP Not available with E1 light engine.



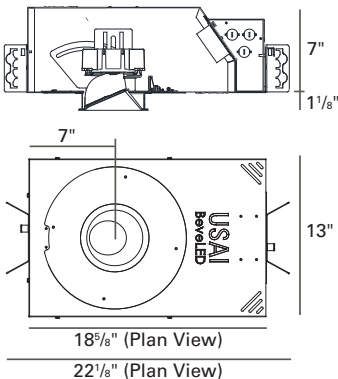
### New Construction Flat Housing IC-Rated /Airtight- FTIC (up to 16W maximum)



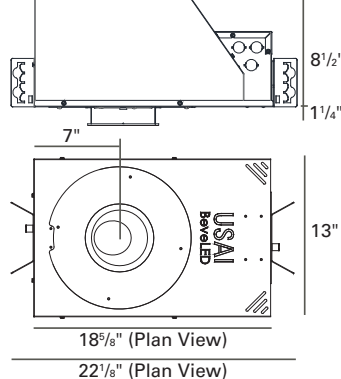
### New Construction - Narrow Width - NCSM Not available with E1 light engine



### Chicago Plenum (24W and less) - CP IC / Airtight (24W and less) - IC



### Chicago Plenum (33W and 36W) - CP IC / Airtight (33W) - IC Not available with E1 light engine



## SPECIFICATIONS

**TRIM:** 4-1/2" round aperture with a 1" regressed bevel and 1/2" flange, retained by two mounting clips. Die cast aluminum bevel is self-flanged and is available in white, stately bronze, black, and metalized grey finishes. Also available in black anodized or clear matte anodized bevel, with self finish or with contrasting painted flange. Custom color flanges available (provide RAL#). TechZone compatible trim option is not available with "01" or "02" flange finishes or 37W light engine.

**TRIM LENS:** Trim is shipped with micro diffusion wall wash lens.

**REFLECTOR:** Proprietary precision injection molded wall wash reflector.

**ADJUSTMENT:** 362° horizontal locking in 90° increments.

**FIELD REPLACEABLE LIGHT ENGINE:** Available in 6 lumen packages. Engine is field replaceable through the aperture without tools. See performance chart for precise lumen output information.

**COLOR:** BeveLED 2.1 is available in 5 color temperatures (2200K, 2700K, 3000K, 3500K, 4000K). All color options are tightly binned for fixture-to-fixture color consistency within a 2-Step MacAdam Ellipse. 80+ color rendering index provided standard. 90+ CRI available for 2700K and 3000K CCTs. 2200K is not available with E1 light engine.

**RATED LIFE:** Based on IESNA LM80-2008 50,000 hours at 70% lumen maintenance (L70).

**THERMAL MANAGEMENT:** Proprietary high performance aluminum die cast heatsink for maximum LED life. Ambient temperatures at fixture location should not exceed 40°C during normal operation.

**FIELD REPLACEABLE DRIVER:** 0-10V, 100%-10% solid state electronic constant current driver with a high power factor provided standard and sources 2mA. Specify 120V or 277V. Driver complies with IEEE C62.41 surge protection.

**DIMMING OPTIONS:** Multiple dimming drivers available. See compatibility chart attached. Some on-time delay may be experienced depending on control system used. Note: DIML6A and DIML6E logarithmic control are intended for use with Lutron control systems; DIML6Band DIML6F linear control are intended for use with non-Lutron controls. DIML15 and DIML6 dimming drivers source 2mA.

**EMERGENCY:** Fixtures provided with a remote test switch are provided with a 24" lead length for location of the test switch. Fixtures that have no USAI EM option may be connected to an inverter (by others) for emergency lighting. **SPECIAL NOTE FOR NCSM HOUSING:** DIML8 cannot be combined with EM options in NCSM housing. See emergency solutions chart for more information on EM test switches and servicing.

**MOUNTING:** Butterfly brackets and adjustable nailer bars with integral nails provided. Nailer bars are extendible from 14" to 24" centers. C-channel bars are optionally available for acoustical ceiling applications.

**HOUSING:** Fabricated of 20 ga. galvanized steel with thru wire J-box, 4 in 4 out at min. 90°C, #12 AWG thru branch

circuit wiring. FTIC housing is IC-rated up to 16W maximum. IC-rated housings for use with 9W, 12W, and 16W light engines only are rated for direct contact with spray foam insulation of R-42 or less. IC, FT and NCSM housings are not available with E1 light engine. NCSM with TZ option is compatible with 6" TechZone ceiling systems. When using DIML8, NCSM housing can NOT be used with thru-branch circuit wiring.

**MAXIMUM CEILING THICKNESS:** As per drawings above.

**CEILING CUT OUT:** 5-1/16" Ø

**LISTINGS:** Dry/Damp. Wet location option available with B1 trim only. NRTL/CSA-US tested to UL standards. IBEW union made. Energy Star Qualified under Luminaires Specification V2.0. Please see Energy Star website for exact model #s included in the listing. B1-10 trim styles and up to 16W only. Please note E1 light engine; 22KS, 27KH, and 30KH light engines and EM options are not Energy Star qualified. CEC/Title 24 Compliant up to 16W maximum. See CEC website for exact models included.



**WARRANTY:** 5 years

### NOTES:

- Not for use in corrosive environment.
- Use of pressure washer voids warranty.

**PHOTOMETRICS:** Consult factory or website for IES files. Tested in accordance with IESNA LM79-2008.

**DIMMING DRIVER WIRING SCHEMES:**

**NOTES:**

Wiring diagrams are examples of typical installations intended to illustrate the number of wires that must be run to fixture. These diagrams are not intended to specify all equipment necessary for a given dimming circuit. Refer to specific dimmer manufacturer's documentation for details.

**IMPORTANT SAFETY INSTRUCTIONS  
- SAVE THESE INSTRUCTIONS**

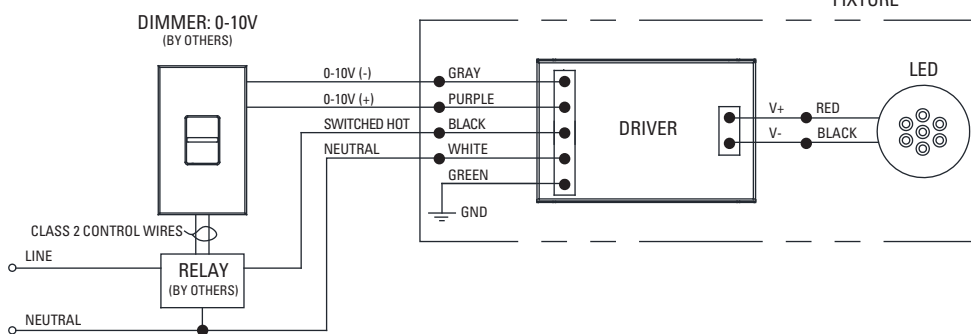
1. Keep these instructions in a safe place for future reference.
2. Only qualified electricians in accordance to local codes should install these fixtures.
3. De-energize the electrical circuit at the circuit breaker prior to installation process or servicing.
4. Make sure all connections are in accordance with the National Electrical Code and any local regulations.
5. Cap any wires not used separately (not together).

**D2 / DIML2 LED: 0-10V Dimming Driver Wiring (Dims down to 10%)**

D2 / DIML2 Dimmer Compatibility Chart				
Manufacturer	Product	Part Number	Dimmed Light Output Range	Qty Fixtures Per Dimmer*
<b>120V / 277V</b>				
Crestron	iLux dimmer expansion module	CLS-EXP-DIMFLV	100% - 10%	Use source current per fixture specification sheet to determine number of fixtures per dimmer. Max number of fixtures is limited by dimmer load rating.
Crestron	DIN Rail dimmer	DIN-4DIMFLV4	100% - 10%	
Crestron	DIN Rail analog output module	DIN-A08	100% - 10%	
Crestron	8 Channel dimmer module	GLX-DIMFLV8	100% - 10%	
Crestron	8 Channel dimmer module	GLXP-DIMFLV8	100% - 10%	
Leviton	IlumaTech dimmer	IP710-DLX	100% - 10%	
Lightolier (Philips)	Vega	V2000FAMU	100% - 10%	
Lutron	Diva	DVTV-XX	100% - 10%	

\* NOTE: Refer to dimmer manufacturer's documentation for installation instructions and circuit details.

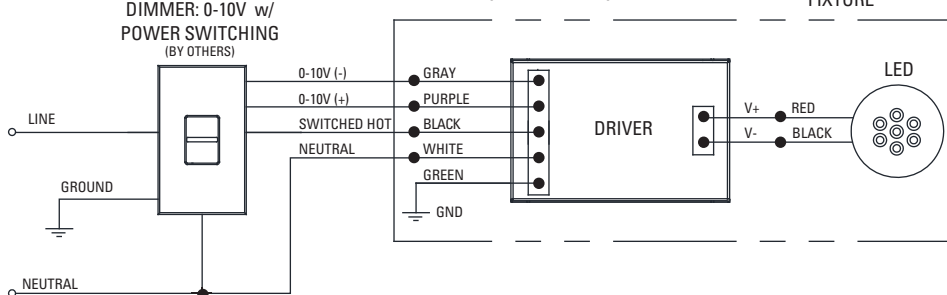
**D2 / DIML2  
0-10V DIMMING W/RELAY TO SWITCH POWER**



**NOTE:**

If switched, non-dimming operation is desired, cap off purple and gray wires individually at installation. Do NOT cap purple and gray wires together.

**D2 / DIML2  
0-10V DIMMING (NO RELAY)**



**NOTE:**

If switched, non-dimming operation is desired, cap off purple and gray wires individually at installation. Do NOT cap purple and gray wires together.

**DIMMING DRIVER WIRING SCHEMES:**

**NOTES:**

Wiring diagrams are examples of typical installations intended to illustrate the number of wires that must be run to fixture. These diagrams are not intended to specify all equipment necessary for a given dimming circuit. Refer to specific dimmer manufacturer's documentation for details.

**IMPORTANT SAFETY INSTRUCTIONS  
- SAVE THESE INSTRUCTIONS**

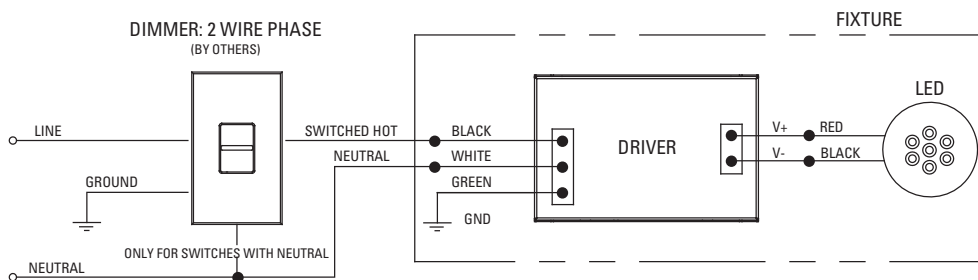
1. Keep these instructions in a safe place for future reference.
2. Only qualified electricians in accordance to local codes should install these fixtures.
3. De-energize the electrical circuit at the circuit breaker prior to installation process or servicing.
4. Make sure all connections are in accordance with the National Electrical Code and any local regulations.
5. Cap any wires not used separately (not together).

**D3 / DIML3 LED: Lutron Hi-Lume A-Series 2 Wire Fwd Phase (with neutral) / LED Dimming Driver Wiring (Dims down to 1%) 120V**

D3 / DIML3 Dimmer Compatibility Chart					
Manufacturer	Product	Part Number	Dimmed Light Output Range	Qty Fixtures Per Dimmer*	
				Fixture Wattage	
120V Only					
				39W and Less	40W - 80W
ETC	Sensor+ Cabinet	ELV10	100% - 1%	1 - 26	1 - 13
ETC	Unison DRd Cabinet	ELV10	100% - 1%	1 - 26	1 - 13
Lutron	Maestro Wireless® 600W dimmer	MRF2-6ND-120-	100% - 1%	1 - 8	1 - 4
Lutron	Maestro Wireless® 1000W dimmer	MRF2-10ND-120-	100% - 1%	1 - 13	1 - 6
Lutron	HomeWorks® QS adaptive dimmer	HQRD-6NA-	100% - 1%	1 - 8	1 - 4
Lutron	HomeWorks® QS 600W dimmer	HQRD-6ND-	100% - 1%	1 - 8	1 - 4
Lutron	HomeWorks® QS 1000 W dimmer	HQRD-10ND-	100% - 1%	1 - 13	1 - 6
Lutron	Caseta Wireless® Pro 1000W dimmer	PD-10NXD-	100% - 1%	1 - 13	1 - 6
Lutron	Stanza® dimmer	SZ-6ND-	100% - 1%	1 - 8	1 - 4
Lutron	RadioRA® 2 adaptive dimmer	RRD-6NA-	100% - 1%	1 - 8	1 - 4
Lutron	RadioRA® 2 1000 W dimmer	RRD-10ND-	100% - 1%	1 - 6	1 - 3
Lutron	myRoom DIN power module	MQSE-4A1-D	100% - 1%	1 - 6	1 - 3
Lutron	HomeWorks® QS wallbox power module	HQRJ-WPM-6D-120-	100% - 1%	1 - 26	1 - 13
Lutron	Homeworks® DIN power module	LQSE-4A1-D	100% - 1%	1 - 6	1 - 3
Lutron	HomeWorks® wallbox power module	HV1-WPM-6D-120	100% - 1%	1 - 26	1 - 13
Lutron	GRAFIK Eye® QS control unit	QSGR-, QSGRJ-	100% - 1%	1 - 26	1 - 13
Lutron	GRAFIK Eye® 3000 control unit	GRX-3100-, GRX-3500-	100% - 1%	1 - 26	1 - 13
Lutron	RPM-4U module	HW-RPM-4U-120, LP-RPM-4U-120	100% - 1%	1 - 26	1 - 13
Lutron	RPM-4A module	HW-RPM-4A-120, LP-RPM-4A-120	100% - 1%	1 - 26	1 - 13
Lutron	GP dimming panels	Various	100% - 1%	1 - 26	1 - 13
Lutron	Ariadni CL 250W dimmer	AYCL-253P-	100%-1%	1 - 8	1 - 4
Lutron	Diva CL 250W dimmer	DVCL-253P-, DVSCCL-253P-	100%-1%	1 - 8	1 - 4
Lutron	Grafik T CL or RF CL dimmer	GT-250M-, GTJ-250M-	100%-1%	1 - 8	1 - 4
Lutron	Nova T CL 250W dimmer	NTCL-250-	100%-1%	1 - 10	1 - 5

\* NOTE: Refer to dimmer manufacturer's documentation for installation instructions and circuit details.

**D3 / DIML3  
2 WIRE PHASE DIMMING**



**DIMMING DRIVER WIRING SCHEMES:**

NOTES:

Wiring diagrams are examples of typical installations intended to illustrate the number of wires that must be run to fixture. These diagrams are not intended to specify all equipment necessary for a given dimming circuit. Refer to specific dimmer manufacturer's documentation for details.

**IMPORTANT SAFETY INSTRUCTIONS  
- SAVE THESE INSTRUCTIONS**

1. Keep these instructions in a safe place for future reference.
2. Only qualified electricians in accordance to local codes should install these fixtures.
3. De-energize the electrical circuit at the circuit breaker prior to installation process or servicing.
4. Make sure all connections are in accordance with the National Electrical Code and any local regulations.
5. Cap any wires not used separately (not together).

**D4 / DIML4 LED: Lutron Hi-Lume A-Series LED Driver with 3-Wire FL Control / LED Dimming Driver Wiring (Dims down to 1%)**

D4 / DIML4 3-Wire Dimmer Compatibility Chart					
Manufacturer	Product	Part Number	Dimmed Light Output Range	Qty Fixtures Per Control*	
				Fixture Wattage	
<b>120V Only</b>				39W and Less	40W - 80W
ETC	Sensor+ Cabinet	D20 Dimming module	100% - 1%	1-53	1-26
ETC	Unison DRd Cabinet	D20F Dimming module	100% - 1%	1-53	1-26
Lutron	Nova T	NTF-10-	100%-1%	1-41	1-20
Lutron	Nova T	NTF-103P-	100%-1%	1-20	1-10
Lutron	Nova	NF-10-	100%-1%	1-41	1-20
Lutron	Nova	NF-103P-	100%-1%	1-20	1-10
Lutron	Vareo	VF-10-	100%-1%	1-20	1-10
Lutron	Skylark	SF-10P-, SF-103P-	100%-1%	1-20	1-10
Lutron	Diva	DVF-103P-, DVSCF-103P-	100%-1%	1-20	1-10
Lutron	Ariadni	AYF-103P-	100%-1%	1-20	1-10
Lutron	Vierti	VTF-6A-	100%-1%	1-15	1-7
Lutron	Maestro	MAF-6AM-, MSCF-6AM-	100%-1%	1-15	1-7
Lutron	Maestro Wireless	MRF2-F6AN-DV-	100%-1%	1-15	1-7
Lutron	RadioRA 2	RRD-F6AN-DV-	100%-1%	1-15	1-7
Lutron	HomeWorks QS	HQRD-F6AN-DV	100%-1%	1-15	1-7
Lutron	Interfaces	PHPM-3F-120, PHPM-3F-DV	100%-1%	1-41	1-20
Lutron	GP Dimming Panels	Various	100%-1%	1-41	1-20
<b>277V Only</b>				40W and Less	41W - 80W
ETC	Sensor+ Cabinet	D20 Dimming module	100% - 1%	1-53	1-26
ETC	Unison DRd Cabinet	D20F Dimming module	100% - 1%	1-53	1-26
Lutron	Nova T	NTF-10-277-	100%-1%	1-44	1-22
Lutron	Nova T	NTF-103P-277-	100%-1%	1-33	1-16
Lutron	Nova	NF-10-277-	100%-1%	1-44	1-22
Lutron	Nova	NF-103P-277-	100%-1%	1-33	1-16
Lutron	Skylark	SF-12P-277-, SF-12P-277-3	100%-1%	1-33	1-16
Lutron	Diva	DVF-103P-277-, DVSCF-103P-277-	100%-1%	1-33	1-16
Lutron	Ariadni	AYF-103P-277-	100%-1%	1-44	1-22
Lutron	Vierti	VTF-6A-	100%-1%	1-33	1-16
Lutron	Maestro	MAF-6AM-277-, MSCF-6AM-277-	100%-1%	1-20	1-10
Lutron	Maestro Wireless	MRF2-F6AN-DV-	100%-1%	1-33	1-16
Lutron	RadioRA 2	RRD-F6AN-DV-	100%-1%	1-33	1-16
Lutron	HomeWorks QS	HQRD-F6AN-DV	100%-1%	1-33	1-16
Lutron	Interfaces	PHPM-3F-DV	100%-1%	1-88	1-44
Lutron	GP Dimming Panels	Various	100%-1%	1-88	1-44

\* NOTE: Number of fixtures may be higher if wattage is less than maximum values shown. Refer to dimmer manufacturer's documentation for installation instructions and circuit details.

**DIML4 wiring diagrams continued on next page**

**DIMMING DRIVER WIRING SCHEMES:**

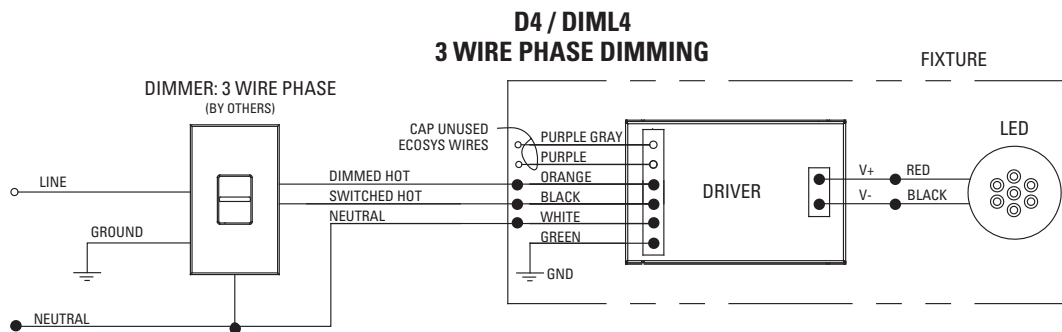
**NOTES:**

Wiring diagrams are examples of typical installations intended to illustrate the number of wires that must be run to fixture. These diagrams are not intended to specify all equipment necessary for a given dimming circuit. Refer to specific dimmer manufacturer's documentation for details.

**IMPORTANT SAFETY INSTRUCTIONS  
- SAVE THESE INSTRUCTIONS**

1. Keep these instructions in a safe place for future reference.
2. Only qualified electricians in accordance to local codes should install these fixtures.
3. De-energize the electrical circuit at the circuit breaker prior to installation process or servicing.
4. Make sure all connections are in accordance with the National Electrical Code and any local regulations.
5. Cap any wires not used separately (not together).

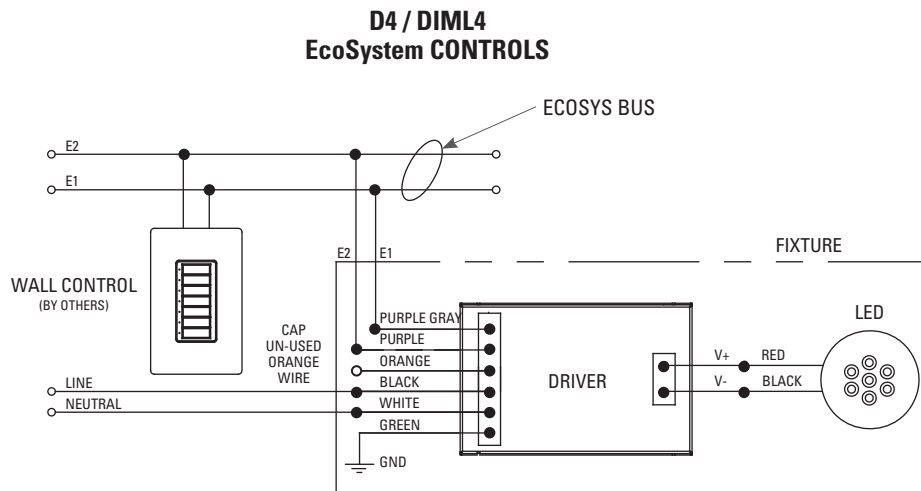
**D4 / DIML4 LED: Lutron Hi-Lume A-Series LED Driver with 3-Wire FL Control / LED Dimming Driver Wiring (Dims down to 1%)**



**D4 / DIML4 LED: Lutron Hi-Lume A-Series LED Driver with EcoSystem Control / LED Dimming Driver Wiring (Dims down to**

<b>D4 / DIML4 EcoSystem Dimmer Compatibility Chart</b>					
Manufacturer	Product	Part Number	Dimmed Light Output Range	Qty Fixtures Per Control*	
				Fixture Wattage	
<b>120V / 277V</b>				39W and Less	40W - 80W
Lutron	PowPak dimming module	RMJ-ECO32-DV-B	100%-1%	1-32	1-16
Lutron	Energi Savr Node	QSN-1ECO-S, QSN-2ECO-S	100%-1%	1-64	1-32
Lutron	GRAFIK Eye QS (120V ONLY)	QSGRJ- E, QSGR- E	100%-1%	1-64	1-32
Lutron	Quantum	Various	100%-1%	1-64	1-32

\* NOTE: Number of fixtures may be higher if wattage is less than maximum values shown. Refer to dimmer manufacturer's documentation for installation instructions and circuit details.



**DIMMING DRIVER WIRING SCHEMES:**

**NOTES:**

Wiring diagrams are examples of typical installations intended to illustrate the number of wires that must be run to fixture. These diagrams are not intended to specify all equipment necessary for a given dimming circuit. Refer to specific dimmer manufacturer's documentation for details.

**IMPORTANT SAFETY INSTRUCTIONS  
- SAVE THESE INSTRUCTIONS**

1. Keep these instructions in a safe place for future reference.
2. Only qualified electricians in accordance to local codes should install these fixtures.
3. De-energize the electrical circuit at the circuit breaker prior to installation process or servicing.
4. Make sure all connections are in accordance with the National Electrical Code and any local regulations.
5. Cap any wires not used separately (not together).

**D4E / DIML4E LED: Lutron 5 Series EcoSystem LED Driver / LED Dimming Driver Wiring (Dims down to 5%)**

D4E / DIML4E EcoSystem Dimmer Compatibility Chart					
Manufacturer	Product	Part Number	Dimmed Light Output Range	Qty Fixtures Per Control*	
				Fixture Wattage	
120V / 277V				39W and Less	40W - 80W
Lutron	PowPak dimming module	RMJ-ECO32-DV-B	100%-5%	1-32	1-16
Lutron	Energi Savr Node	QSN-1ECO-S, QSN-2ECO-S	100%-5%	1-64	1-32
Lutron	GRAFIK Eye QS (120V ONLY)	QSGRJ- E, QSGR- E	100%-5%	1-64	1-32
Lutron	Quantum	Various	100%-5%	1-64	1-32

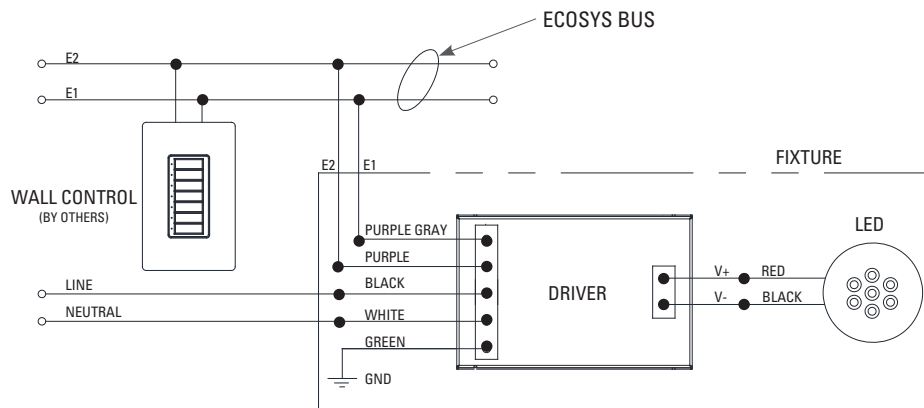
\* NOTE: Number of fixtures may be higher if wattage is less than maximum values shown. Refer to dimmer manufacturer's documentation for installation instructions and circuit details.

**D4H / DIML4H LED: Lutron H Series EcoSystem LED Driver with Fade to Black (dims down to 1%)**

D4H / DIML4H EcoSystem Dimmer Compatibility Chart					
Manufacturer	Product	Part Number	Dimmed Light Output Range	Qty Fixtures Per Control*	
				Fixture Wattage	
120V / 277V				39W and Less	40W - 80W
Lutron	PowPak dimming module	RMJ-ECO32-DV-B	100%-1%	1-32	1-16
Lutron	Energi Savr Node	QSN-1ECO-S, QSN-2ECO-S	100%-1%	1-64	1-32
Lutron	GRAFIK Eye QS (120V ONLY)	QSGRJ- E, QSGR- E	100%-1%	1-64	1-32
Lutron	Quantum	Various	100%-1%	1-64	1-32

\* NOTE: Number of fixtures may be higher if wattage is less than maximum values shown. Refer to dimmer manufacturer's documentation for installation instructions and circuit details.

**D4E / DIML4E and D4H / DIML 4H  
EcoSystem CONTROLS**





### IMPORTANT SAFETY INSTRUCTIONS - SAVE THESE INSTRUCTIONS

1. Keep these instructions in a safe place for future reference.
2. Only qualified electricians in accordance to local codes should install these fixtures.
3. De-energize the electrical circuit at the circuit breaker prior to installation process or servicing.
4. Make sure all connections are in accordance with the National Electrical Code and any local regulations.
5. Cap any wires not used separately (not together).

### D6A / DIML6A and D6E / DIML6E LED Dimming Compatibility Table

D6A / DIML6A and D6E / DIML6E are linearly programmed dimming drivers for use with logarithmic-style dimming controls (e.g., Lutron and others listed in the table below)  
 D6A / DIML6A = EldoLED SOLOdrive 0-10V control dims from 100% to 0.1%  
 D6E / DIML6E = EldoLED ECOdrive 0-10V control dims from 100% to 1%

D6A / DIML6A and D6E / DIML6E Dimmer Compatibility Chart					
Manufacturer	Product	Part Number	Dimmed Light Output Range		Qty Fixtures Per Dimmer*
			DIML6A	6E	
<b>120V &amp; 277V</b>					
Lutron	Diva	DVTV/NFTV with PP-20	99% - 0.1%	1%	Refer to manufacturer's dimmer load rating for maximum and minimum fixture quantities per dimmer. Enlightened compatible.
Lutron	Nova T	NTFTV with PP-20	99% - 0.1%	1%	
Lutron	Energi Savr Node	QSN-4T16-S	100% - 0.1%	1%	
Lutron	GP Dimming Panels	TVM2 Module	99% - 0.1%	1%	
Lutron	Interfaces	GRX-TV1 w/ GRX3503	100% - 0.1%	1%	
Sensor Switch	nIO	nIO EZ	100% - 0.1%	1%	
enlightened	Control Unit	CU-3E-1R	100% - 0.1%	1%	

\* NOTE: Refer to dimmer manufacturer's documentation for installation instructions and circuit details.

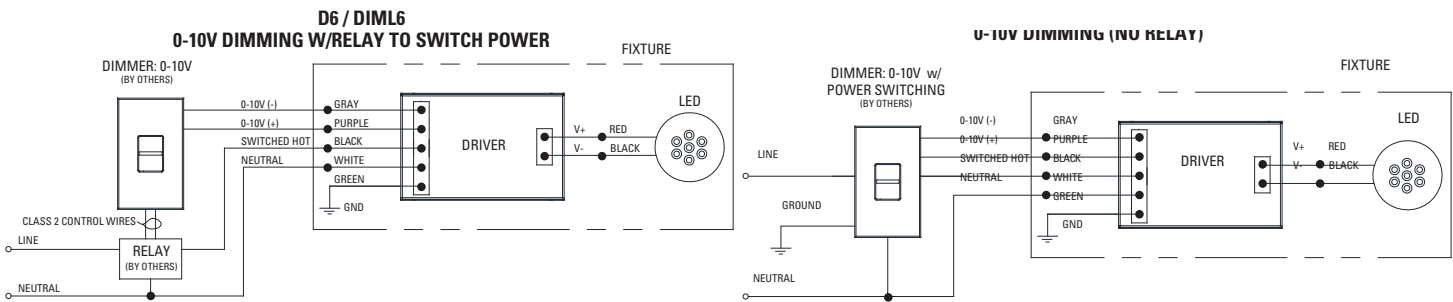
### D6B / DIML6B and D6F / DIML6F LED Dimming Compatibility Table

D6B / DIML6B and D6F / DIML6F are logarithmic-programmed dimming drivers for use with linear-style dimming controls (e.g., Crestron, non-Lutron and others listed below)  
 D6B / DIML6B = EldoLED SOLOdrive 0-10V control dims from 100% to 0.1% D6F / DIML6F = EldoLED ECOdrive 0-10V control dims from 100% to 1%

D6B / DIML6B and D6F / DIML6F Dimmer Compatibility Chart					
Manufacturer	Product	Part Number	Dimmed Light Output Range		Qty Fixtures Per Dimmer*
			DIML6B	6F	
<b>120V &amp; 277V</b>					
Bush-Jaeger	Electronic potentiometer	2112U-101	100% - 0.1%	1%	Refer to manufacturer's dimmer load rating for maximum and minimum fixture quantities per dimmer. Enlightened compatible.
Jung	Electronic potentiometer	240-10	100% - 0.1%	1%	
Leviton	Iluma Tech dimmer	IP710-DLX	100% - 0.1%	1%	
Lightolier (Philips)	Momentum (120V ONLY)	ZP600FAM120	100% - 0.1%	1%	
Merten	Electronic potentiometer	5729	100% - 0.1%	1%	
Pass & Seymour	Titan	CD4FB-W	100% - 0.1%	1%	
Watt Stopper	Miro	DCLV1	100% - 0.1%	1%	
Synergy	Wallbox Dimmers	ISD BC	100% - 0.1%	1%	
ABB	i-bus	SD/S 2.16.1	100% - 0.1%	1%	
Crestron	Modules	GLX-DIMFLV8, GLXP-DIMFLV8	100% - 0.1%	1%	
Crestron	Green Light	GLPAC-DIMFLV4-, GLPAC-DIMFLV8-	100% - 0.1%	1%	
Crestron	Green Light Power Pack	GLPP-DIMFLVEX-PM, GLPP-1DIMFLV2EX-PM, GLPP-1DIMFLV3EX-PM	100% - 0.1%	1%	
Crestron	DIN Rail Analog Output Module	DIN-A08	100% - 0.1%	1%	
Crestron	DIN Rail 0-10V Fluorescent Dimmer	DIN-4DIMFLV4	100% - 0.1%	1%	
Crestron	iLux 0-10V Dimmer Expansion Module	CLS-EXP-DIMFLV	100% - 0.1%	1%	
enlightened	Control Unit	CU-3E-1R	100% - 0.1%	1%	

### DIMMING DRIVER WIRING SCHEMES:

NOTES: Wiring diagrams are examples of typical installations intended to illustrate the number of wires that must be run to fixture. These diagrams are not intended to specify all equipment necessary for a given dimming circuit. Refer to specific dimmer manufacturer's documentation for details.



**DIMMING DRIVER WIRING SCHEMES:**

**NOTES:**

Wiring diagrams are examples of typical installations intended to illustrate the number of wires that must be run to fixture. These diagrams are not intended to specify all equipment necessary for a given dimming circuit. Refer to specific dimmer manufacturer's documentation for details.

**IMPORTANT SAFETY INSTRUCTIONS**

**- SAVE THESE INSTRUCTIONS**

1. Keep these instructions in a safe place for future reference.
2. Only qualified electricians in accordance to local codes should install these fixtures.
3. De-energize the electrical circuit at the circuit breaker prior to installation process or servicing.
4. Make sure all connections are in accordance with the National Electrical Code and any local regulations.
5. Cap any wires not used separately (not together).

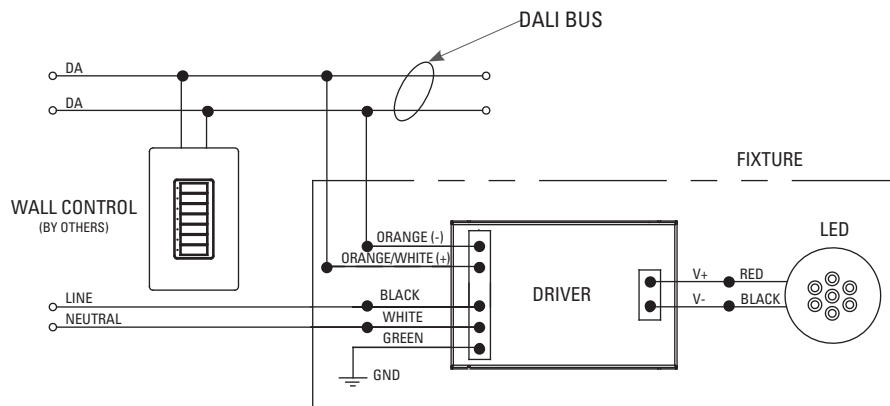
**D7 / DIML7 and D7E Dimming Driver Wiring**

D7 / DIML7 and D7E are linearly programmed dimming drivers.

D7 / DIML7 = EldoLED SOLOdrive DALI control dims from 100% to 0.1%

D7E = EldoLED ECOdrive DALI control dims from 100% to 1%

**D7 / DIML7 / D7E  
DALI CONTROLS**



**DIMMING DRIVER WIRING SCHEMES:**

**NOTES:**

Wiring diagrams are examples of typical installations intended to illustrate the number of wires that must be run to fixture. These diagrams are not intended to specify all equipment necessary for a given dimming circuit. Refer to specific dimmer manufacturer's documentation for details.

**IMPORTANT SAFETY INSTRUCTIONS  
- SAVE THESE INSTRUCTIONS**

1. Keep these instructions in a safe place for future reference.
2. Only qualified electricians in accordance to local codes should install these fixtures.
3. De-energize the electrical circuit at the circuit breaker prior to installation process or servicing.
4. Make sure all connections are in accordance with the National Electrical Code and any local regulations.
5. Cap any wires not used separately (not together).

**D8 / DIML8 and D8E Dimming Driver Wiring**

D8 / DIML8 and D8E are linearly programmed dimming drivers.  
D8 / DIML8 = EldoLED POWERdrive DMX control dims from 100% to 0.1%  
D8E = EldoLED POWERdrive DMX control dims from 100% to 1%

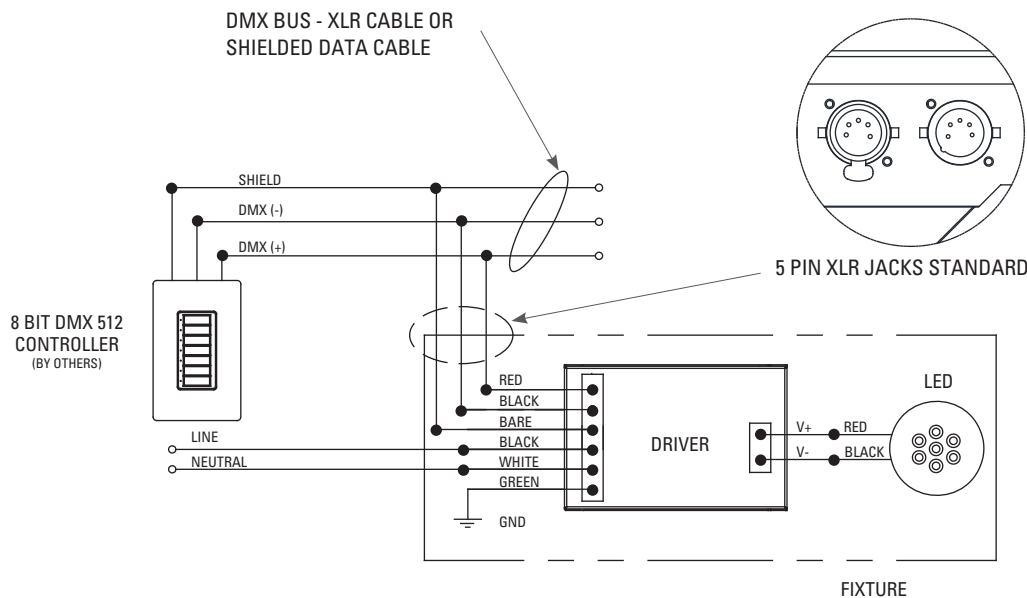
**DMX BUS - XLR CABLE OR  
SHIELDED DATA CABLE**

The data cable used must meet the following requirements:

- type: shielded, 2-conductor twisted pair
- maximum capacitance between conductors: 30 pF/ft
- maximum capacitance between conductor and shield: 55 pF/ft
- maximum resistance: 0.02 ohms/ft
- normal impedance: 100-140 ohms
- conductive core: 24 AWG is recommended

If 3-wire data cables are preferred, we suggest a Belden 9841 or equivalent cable which meets the specifications for EIA RS-485 applications. Do not use standard microphone cables: they cannot transmit DMX512 data reliably over long distances. NOTE: DMX link termination device (by others) should be used on last fixture in line on a circuit to avoid signal loss.

**D8 / DIML8 / D8E  
DMX CONTROLS**



**DIMMING DRIVER WIRING SCHEMES:**

**NOTES:**

Wiring diagrams are examples of typical installations intended to illustrate the number of wires that must be run to fixture. These diagrams are not intended to specify all equipment necessary for a given dimming circuit. Refer to specific dimmer manufacturer's documentation for details.

**IMPORTANT SAFETY INSTRUCTIONS  
- SAVE THESE INSTRUCTIONS**

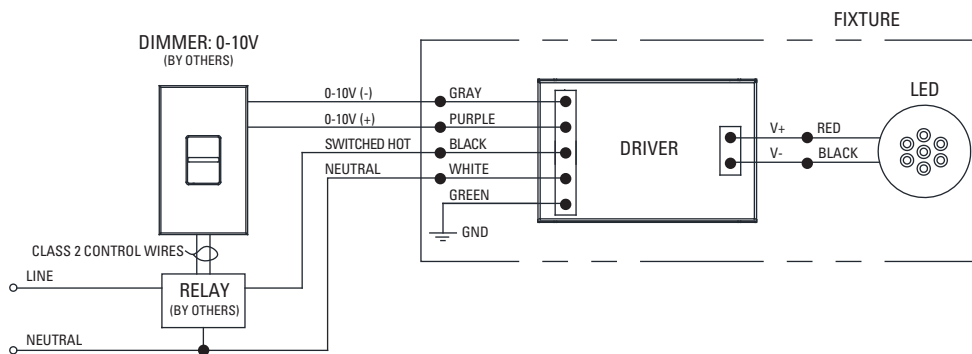
1. Keep these instructions in a safe place for future reference.
2. Only qualified electricians in accordance to local codes should install these fixtures.
3. De-energize the electrical circuit at the circuit breaker prior to installation process or servicing.
4. Make sure all connections are in accordance with the National Electrical Code and any local regulations.
5. Cap any wires not used separately (not together).

**D15 / DIML15 LED: 0-10V, 347V Dimming Driver Wiring (Dims down to 1%) 347V Only**

D15 / DIML15 Dimmer Compatibility Chart			
Manufacturer	Product	Dimmed Light Output Range	Qty Fixtures Per Dimmer*
<b>347</b>			Use source current per fixture specification sheet to determine number of fixtures per dimmer. Max number of fixtures is limited by dimmer load rating.
Acuity	Synergy ISD-BC	100% - 1%	
Douglas Lighting	WPN-5721, WPN-5822	100% - 1%	
Hubbell	Light Hawk2 LHD-IRS3-N347-xx	100% - 1%	
Leviton	Illumatech IP710-DLZ with 347V relay	100% - 1%	
Leviton	Centura Fluorescent Control System	100% - 1%	
Lutron	Nova NFTV-* dimmer plus 347V relay	100% - 1%	
Lutron	Diva DDTV-* dimmer plus 347V relay	100% - 1%	

\* NOTE: Refer to dimmer manufacturer's documentation for installation instructions and circuit details.

**D15 / DIML15  
0-10V DIMMING W/RELAY TO SWITCH POWER**



**NOTE:**  
If switched, non-dimming operation is desired, cap off purple and gray wires individually at installation. Do NOT cap purple and gray wires together.

**DIMMING DRIVER WIRING SCHEMES:**

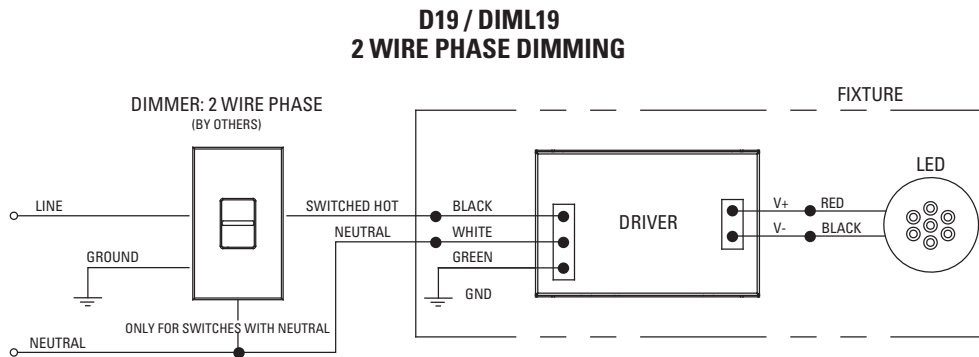
**NOTES:**

Wiring diagrams are examples of typical installations intended to illustrate the number of wires that must be run to fixture. These diagrams are not intended to specify all equipment necessary for a given dimming circuit. Refer to specific dimmer manufacturer's documentation for details.

**IMPORTANT SAFETY INSTRUCTIONS  
- SAVE THESE INSTRUCTIONS**

1. Keep these instructions in a safe place for future reference.
2. Only qualified electricians in accordance to local codes should install these fixtures.
3. De-energize the electrical circuit at the circuit breaker prior to installation process or servicing.
4. Make sure all connections are in accordance with the National Electrical Code and any local regulations.
5. Cap any wires not used separately (not together).

**D19 / DIML19 LED: Hatch XTC series or equivalent - Forward and Reverse Phase Dimming Driver.  
Dims down to 1% contingent upon dimmer specification and load. 120V only.**



**D19 / DIML19 Dimmer Compatibility Chart**

120V ONLY		
Forward Phase / TRIAC Dimming		
Manufacturer	Product	Qty Fixtures Per Dimmer
Leviton	IPL06-10Z	Use fixture wattage per fixture specification sheet to determine number of fixtures per dimmer. Max number of fixtures is limited by dimmer load rating.
	6613-xxx	
Lutron	S-600P	
	S-603P	
	DV-600P	
	DV-603P	
	DVSC-603P	
	CT-600P	
	CT-603P	

120V ONLY		
Reverse Phase / ELV Dimming		
Manufacturer	Product	Qty Fixtures Per Dimmer
Leviton	6615	Use fixture wattage per fixture specification sheet to determine number of fixtures per dimmer. Max number of fixtures is limited by dimmer load rating.
	IPE04-xxx	
Lutron	NTELV-300	
	NTELV-600	
	SELV-300P	
	SELV-303P	
	DVELV-300P	
	DVELV-303P	